

## GWST-KCLP Low Profile Knurled Closed End Threaded Insert

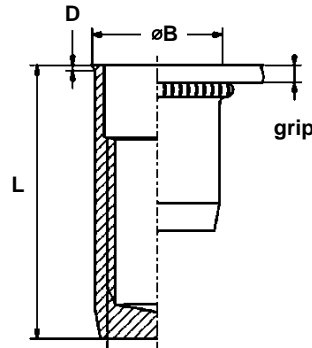
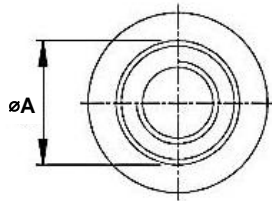
Steel · Low profile · Knurled · Closed end  
M5 - M8

### Features

- Designed to provide load bearing threads in thin sheet materials
- Knurled body improves torque-to-turn resistance
- Low profile head allows near flush fit to application
- Closed end prevents the ingress of dirt and fluids into thread and electrical circuits

### Material

- Steel, zinc plated



Part No.	Thread Size	Grip Range		Hole Size	øA	øB	D	L
		min.	max.					
GWST-KCLPM5-0530	M5	0.5	3.0	7.0	7.0	7.5	0.5	18.0
GWST-KCLPM5-3055		3.0	5.5					20.5
GWST-KCLPM6-0530	M6	0.5	3.0	9.0	9.0	9.5	0.5	21.5
GWST-KCLPM6-3055		3.0	5.5					24.0
GWST-KCLPM8-0530	M8	0.5	3.0	11.0	11.0	11.5	0.5	24.0
GWST-KCLPM8-3055		3.0	5.5					25.0

Thread Size	Max. torque	Pull-out	Torque-to-turn	Shear strength
	Nm max.	Kn	Nm	kN
M5	> ~10.0	> ~12.0	~4.7	~3.5
M6	> ~19.0	> ~21.0	~7.0	~5.0
M8	> ~50.0	> ~33.0	~13.0	~6.0